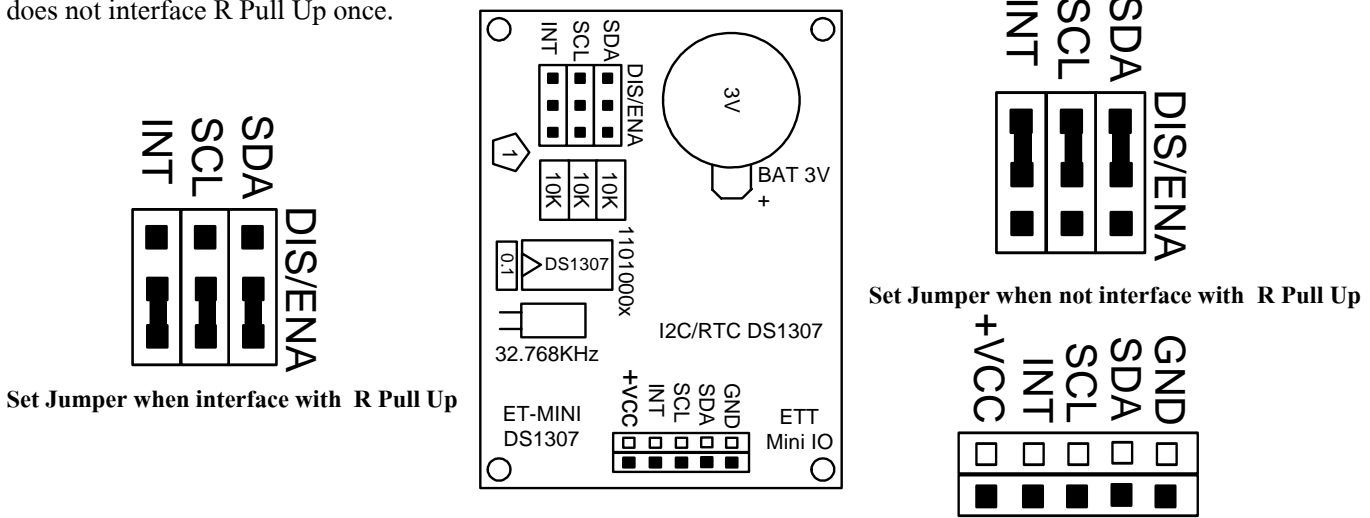


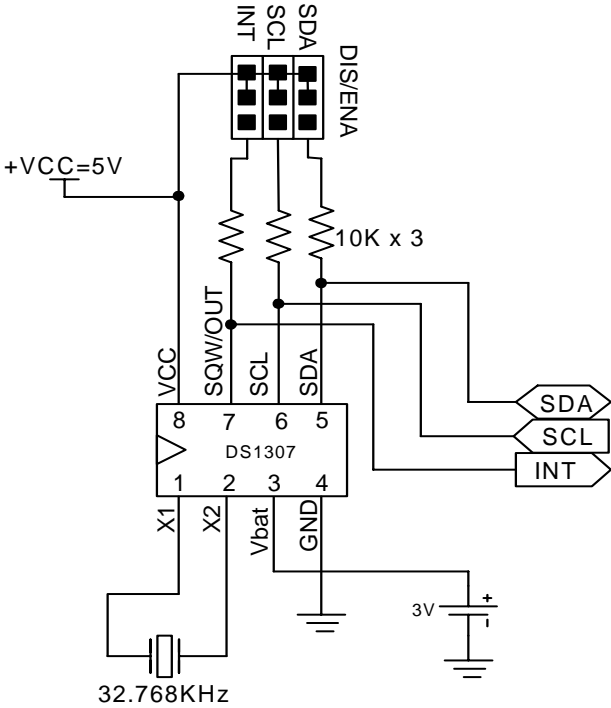
**ET-MINI DS1307**

Module ET-MINI DS1307 which is Real Time Clock (RTC) I<sup>2</sup>C displays Time Base such as Clock, Timer, and Calendar. There's SDA Connector and SCL Connector for interfacing with SDA PIN and SCL PIN of MCU respectively and for external INT Connector interfaces with MCU when uses Interrupt. It uses VDC 3V-5V power supply and this I<sup>2</sup>C No. has Control Byte "1101000X". Moreover, there's battery box to back UP Time Base correctly when Module is not supplied power.

Using this Module, firstly, Set Jumper SDA, SCL and INT and place on ENA side as in the picture. It interfaces R Pull Up with all 3 PIN of I<sup>2</sup>C. If interface R Pull Up with 3 PIN of I<sup>2</sup>C. If R Pull Up is interfaced in Line SDA and SCL from external or is interfaced from other Module, must Set Jumper of all 3 PIN and place on DIS side because it does not interface R Pull Up once.



Picture displays structure of ET-MINI DS1307 and Port PIN position.



Picture displays circuit of ET-MINI DS1307.